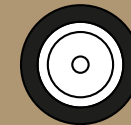


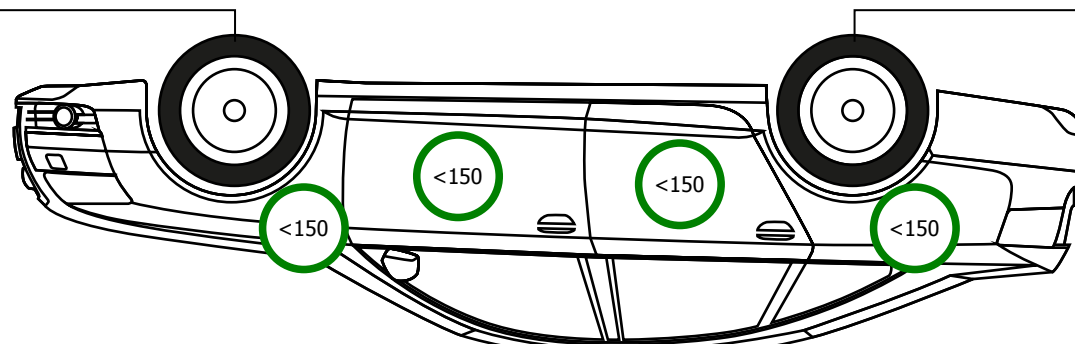
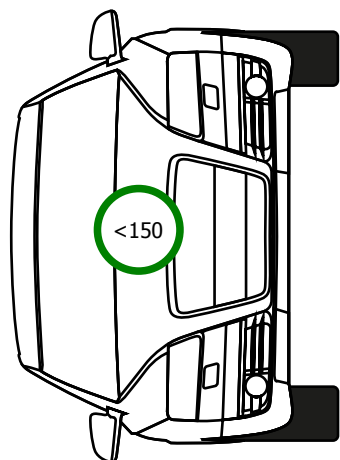
# MINI ONE 1.5 102 KM

GRUBOŚĆ POWŁOKI LAKIERNICZEJ / OPONY

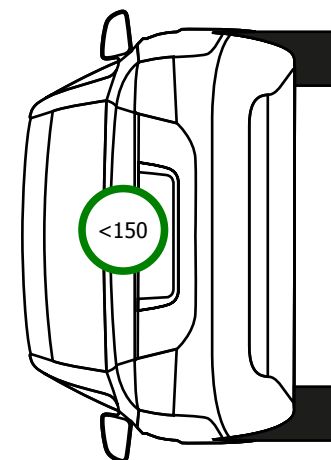
ZAPAS/ZESTAW  
TAK



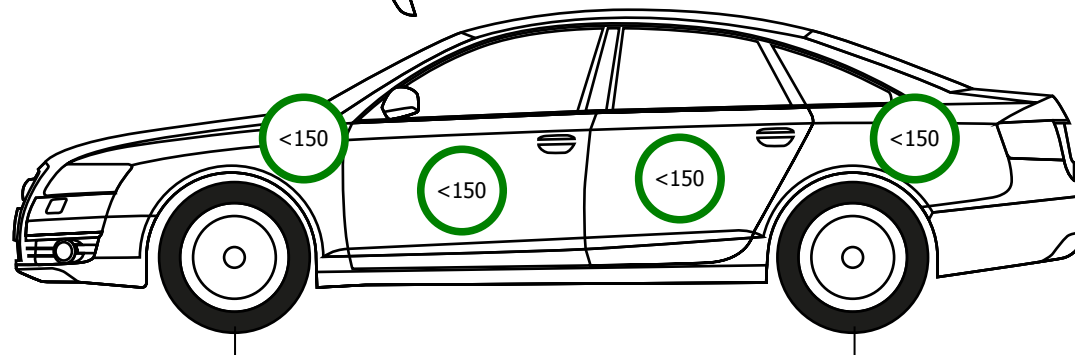
**Michelin**  
ENERGY SAVER  
175/65/R15/88H  
5.5 mm



**Michelin**  
ENERGY SAVER  
175/65/R15/88H  
5.0 mm



**Michelin**  
ENERGY SAVER  
175/65/R15/88H  
5.5 mm



**Michelin**  
ENERGY SAVER  
175/65/R15/88H  
6.0 mm