

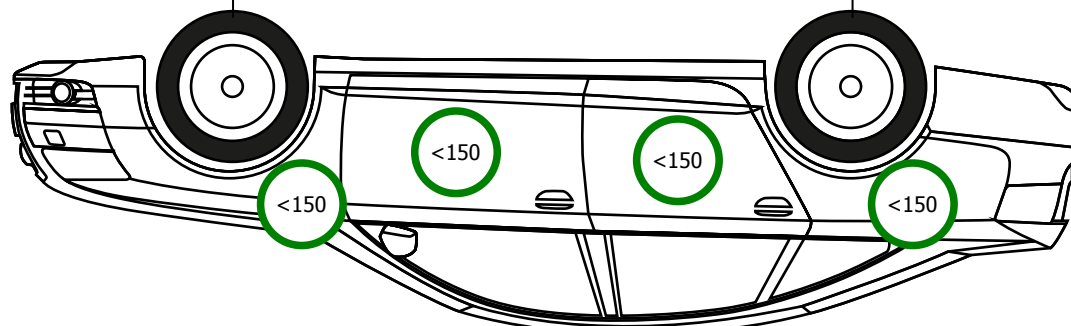
AUDI A6 S Line 2.0 TDI Quattro S Tronic

GRUBOŚĆ POWŁOKI LAKIERNICZEJ / OPONY

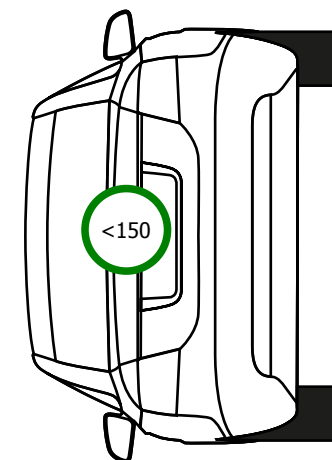
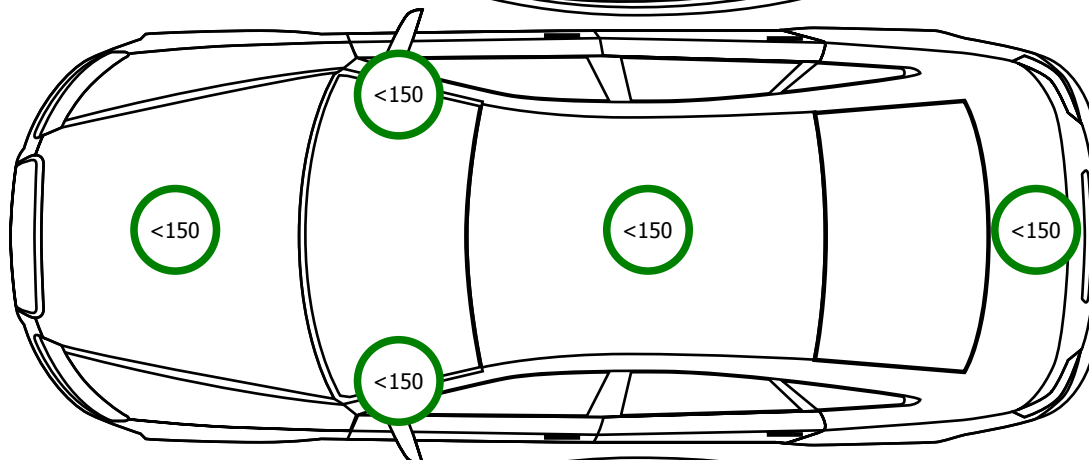
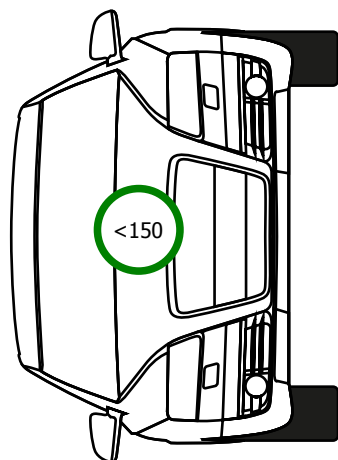
ZAPAS/ZESTAW
TAK



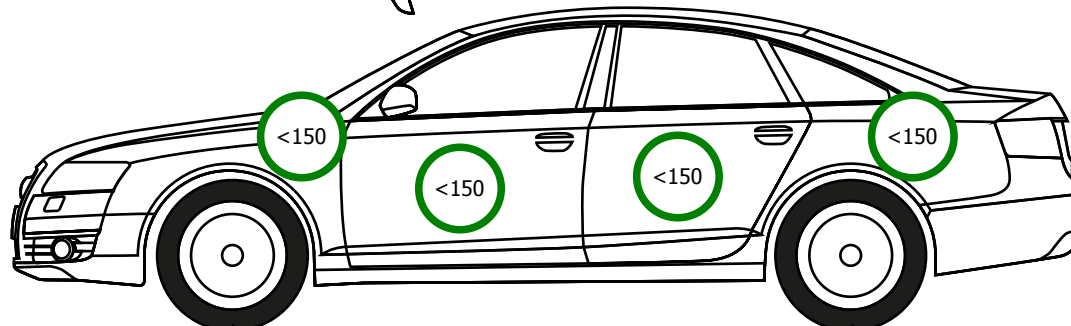
BRIDGESTONE
Turanza ER300
245/45/R18/100Y
4 mm



BRIDGESTONE
Turanza ER300
245/45/R18/100Y
3.5 mm



BRIDGESTONE
Turanza ER300
245/45/R18/100Y
4 mm



BRIDGESTONE
Turanza ER300
245/45/R18/100Y
4 mm